

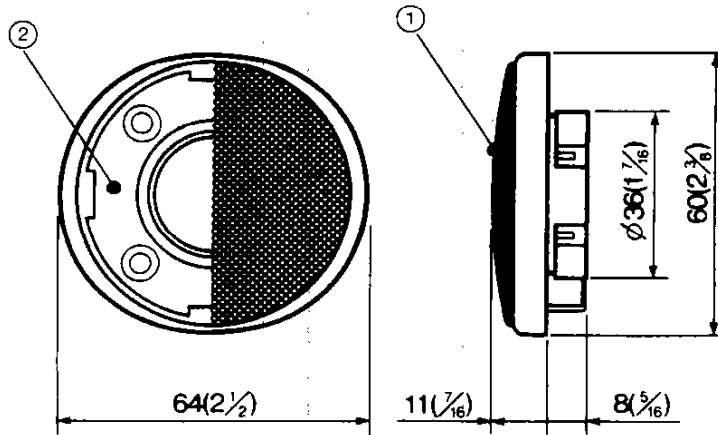
# KFC-T101

## SERVICE MANUAL

# KENWOOD

© 1988-1 PRINTED IN JAPAN  
B51-3423-10 (G) 2010

### EXTERNAL VIEW



Unit: mm (inch)

### PARTS INCLUDED

- $\phi 4 \times 30$  ( $\phi 3/16 \times 1-3/16$ ) .....  $\times 8$
- $\phi 4 \times 20$  ( $\phi 3/16 \times 13/16$ ) .....  $\times 8$
- .....  $\times 8$
- .....  $\times 2$

### SPECIFICATIONS

- Speaker ..... 25 mm (1 in) dome type  
0.47 oz magnet
- Peak input power ..... 120 Watts
- Sensitivity ..... 88dB/W at 1m
- Frequency response ..... 2,000Hz to 20,000Hz
- Resonant frequency (fo) ..... 1,500Hz
- Impedance ..... 4 ohms
- Weight per speaker with grille ... 110g (3.9oz)/pc

We follow a policy of advancements in development.  
For this reason specifications may be changed without notice.

### PARTS LIST

★ New parts  
Parts without **Parts No.** are not supplied.  
Les articles non mentionnes dans le **Parts No.** ne sont pas fournis.  
Teile ohne **Parts No.** werden nicht geliefert.

Ref No.	New Parts	Parts No.	Description
		B46-0100-10	WARRANTY CARD
①	★	F09-0839-08	SCREEN
	★	J39-0225-08	SPACER
	★	N99-1063-08	SCREW SET
②	★	T03-0261-08	SPEAKER (TWEETER)

Q.C.  
COPY